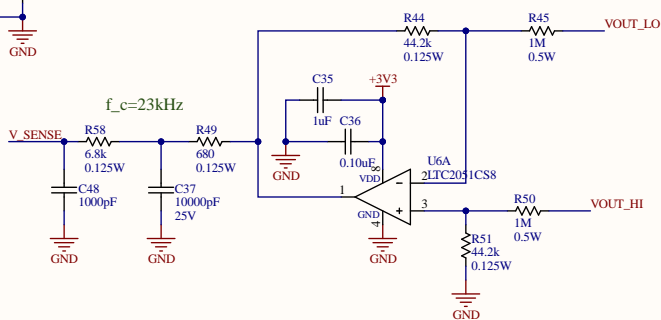
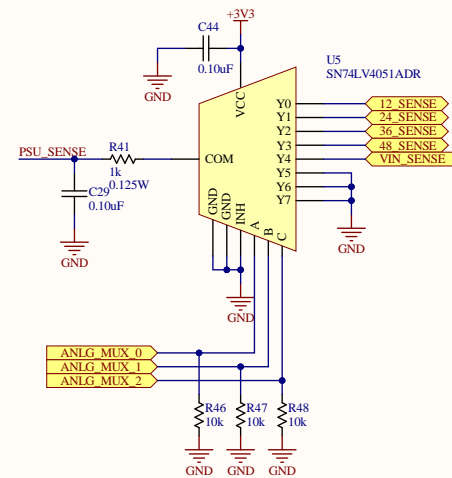
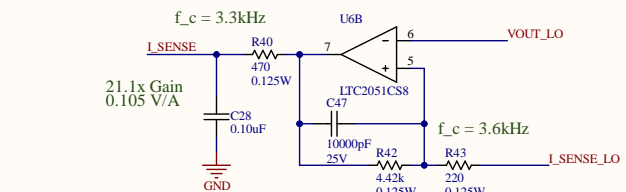
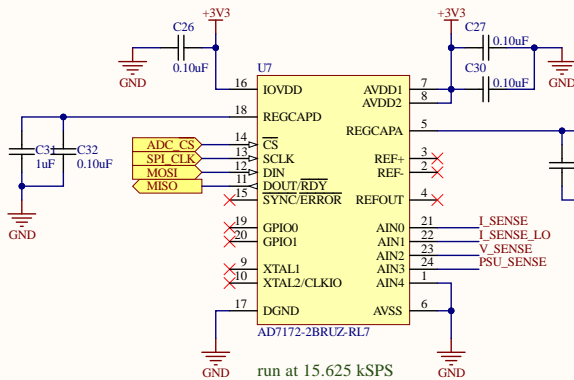
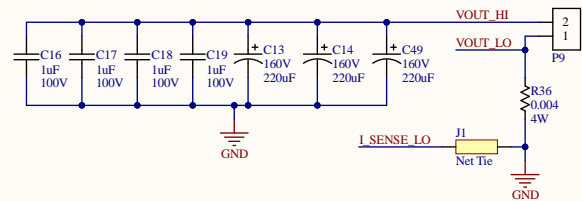
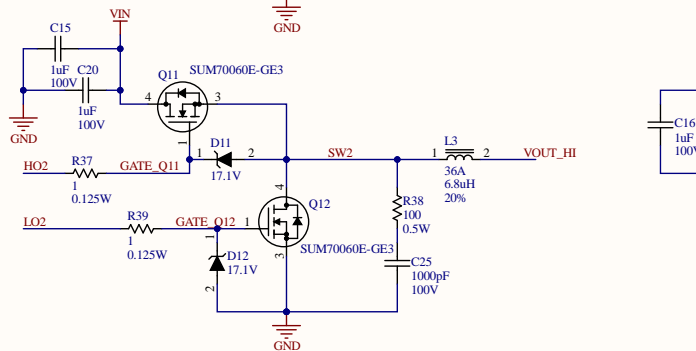
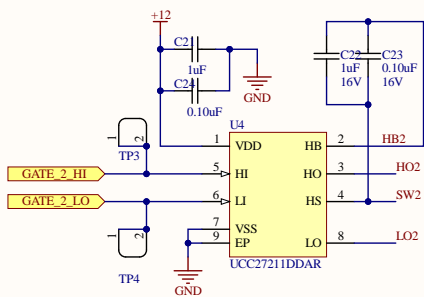
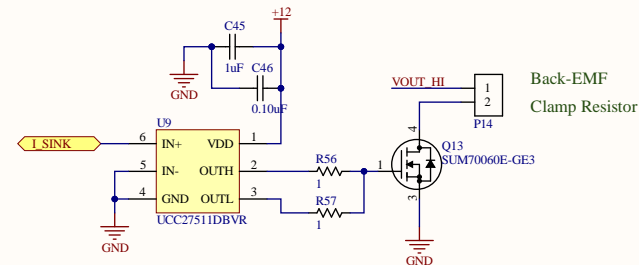
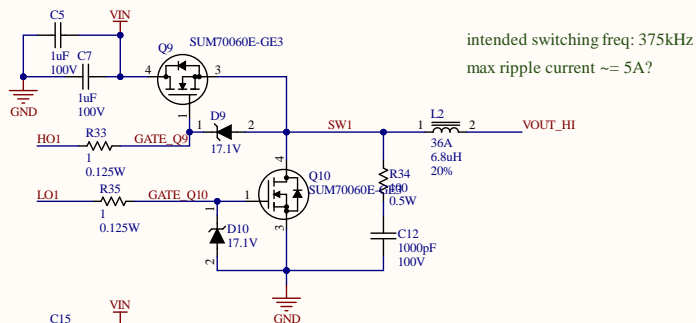
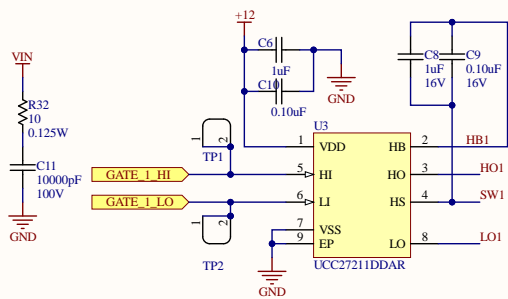
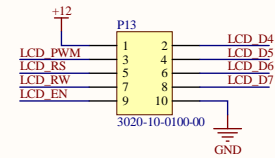
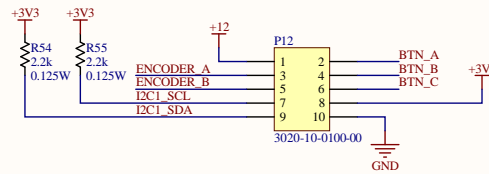
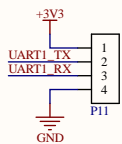
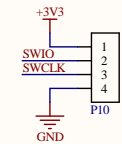
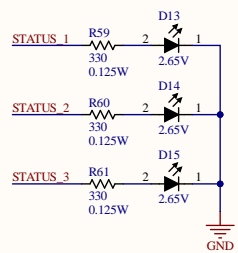
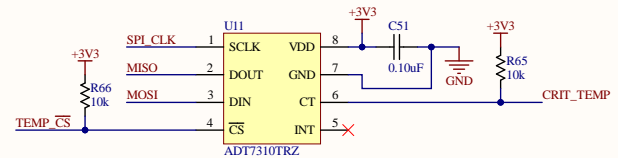
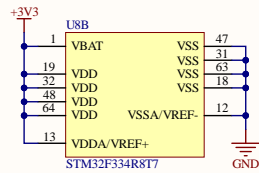
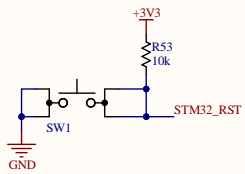
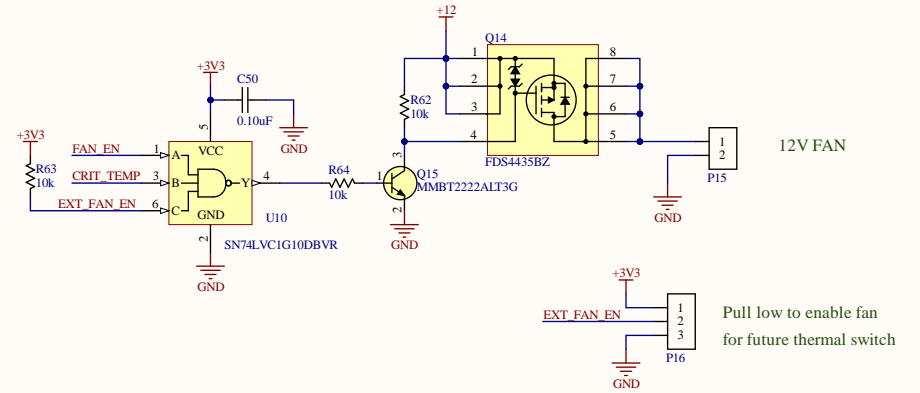
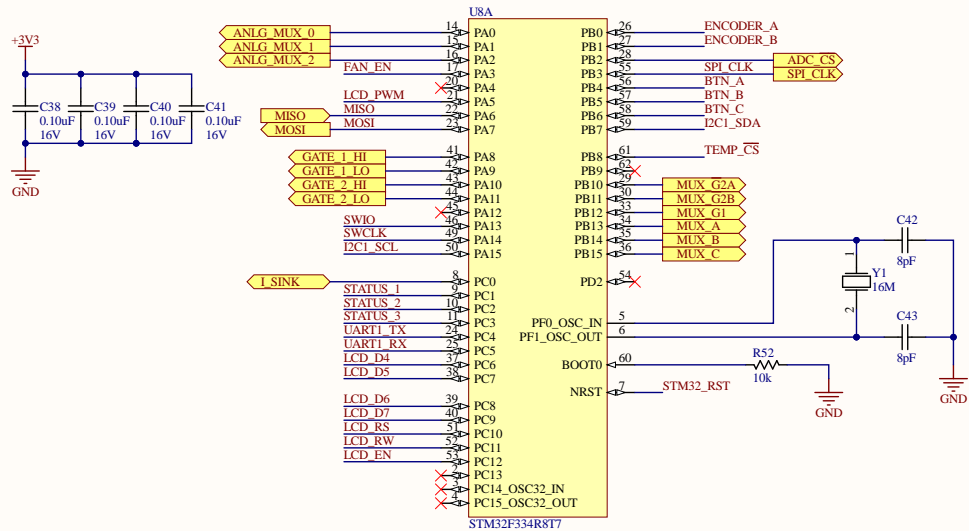


|   |              |               |  |
|---|--------------|---------------|--|
| Title <b>Dual Phase Buck Converter - SCH1</b> |              |               | CWRUbotix<br>10900 Euclid Avenue<br>Cleveland, OH 44106<br>USA |
| Size: B                                       | Number:      | Revision: 1.0 |  |
| Date: 2020-05-10                              | Sheet 1 of 3 |               |  |



|   |              |               |                         |
|---|--------------|---------------|-------------------------|
| Title <b>Dual Phase Buck Converter - SCH2</b> |              |               | CWRUbotix               |
| Size: B                                       | Number:      | Revision: 1.0 | 10900 Euclid Avenue     |
| Date: 2020-05-10                              | Sheet 2 of 3 |               | Cleveland, OH 44106 USA |



|   |              |               |  |
|---|--------------|---------------|--|
| Title <b>Dual Phase Buck Converter - SCH3</b> |              |               | CWRUbotix<br>10900 Euclid Avenue<br>Cleveland, OH 44106<br>USA |
| Size: B                                       | Number:      | Revision: 1.0 |  |
| Date: 2020-05-10                              | Sheet 3 of 3 |               |  |